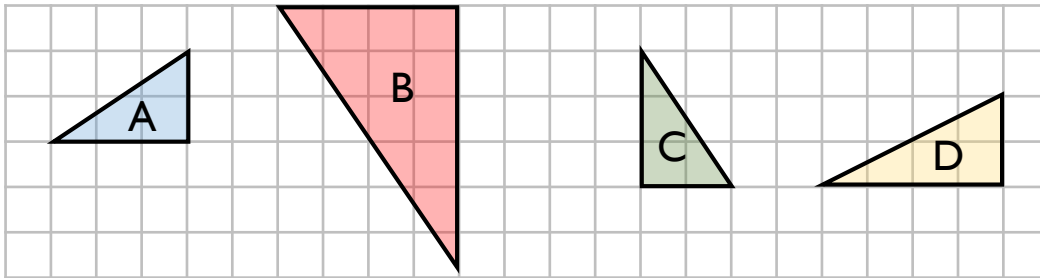


Congruence, Similarity and Enlargement

Name _____

1 Complete the sentences



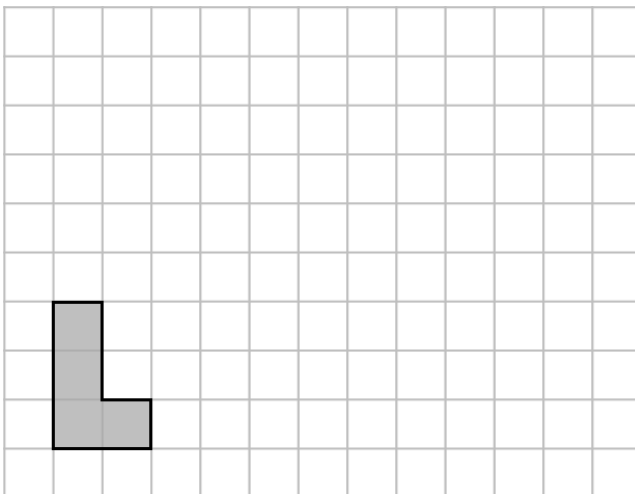
Triangle A is congruent to triangle _____

Triangle A is similar to triangle _____



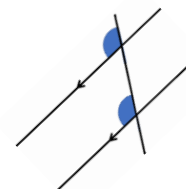
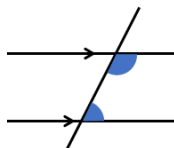
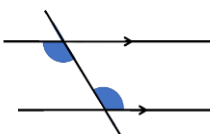
2 marks

2 Enlarge the shape by scale factor 2



2 marks

3 Match the diagram to the name.



Alternate angles

Corresponding angles

Co-interior angles



2 marks

4 When a shape is enlarged, it always becomes bigger.
Tick whether this statement is true or false.

True

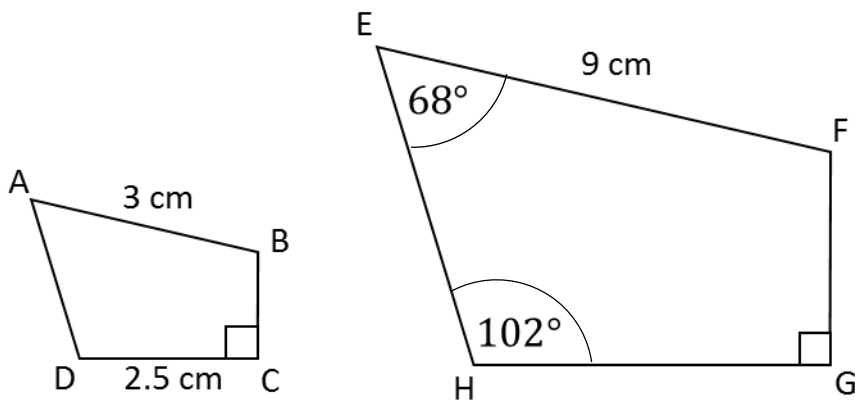
False

Give a reason for your answer.



1 mark

5 The two shapes ABCD and EFGH are similar.



Diagrams not
drawn
accurately

a) Work out the size of angle EFG.



1 mark

b) What is the size of angle ADC?



1 mark

c) Work out the scale factor of the enlargement from ABCD to EFGH.



1 mark

d) Work out the length HG.



1 mark

6

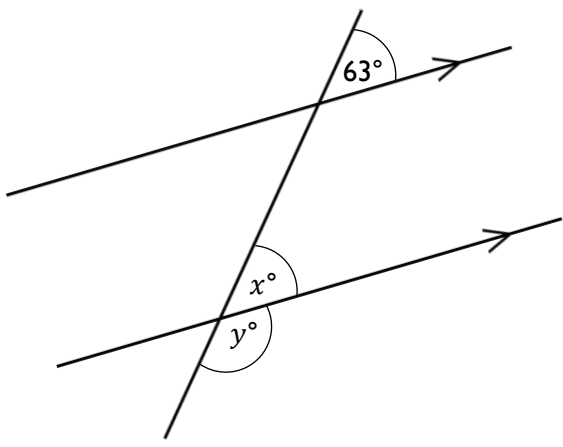


Diagram
not drawn
accurately

a) Work out the size of angle x

$x =$ _____

Give a reason for your answer.

b) Work out the size of angle y

$y =$ _____

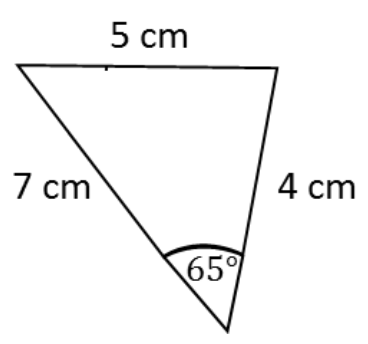
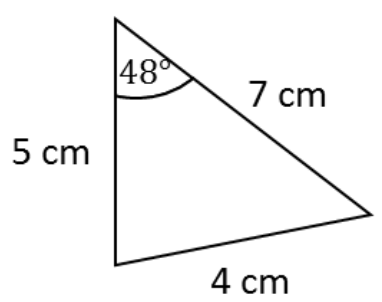
Give a reason for your answer.



3 marks

7

Here are two congruent triangles.
State the condition that shows that they are congruent.



1 mark

8 Work out the size of angle x .

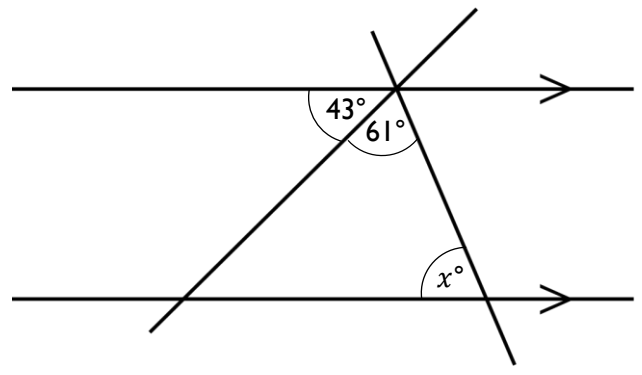


Diagram
not drawn
accurately

$x =$ _____

2 marks

9 The two triangles PQR and STR are similar.

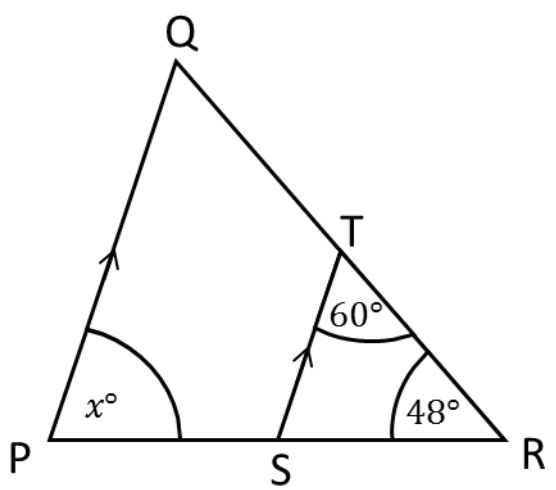


Diagram
not drawn
accurately

a) What is the size of angle x ?

$x =$ _____

1 mark

The scale factor of the enlargement of PQR to STR is $\frac{1}{3}$

b) If QR is 24 cm, what is the length of TR?

_____ cm

1 mark

c) If SR is 7 cm, what is the length PS?

_____ cm

1 mark